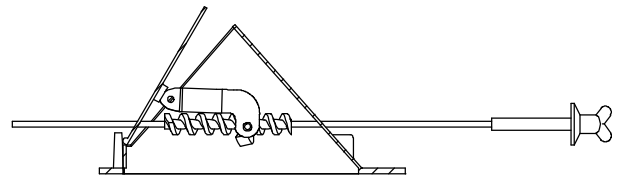
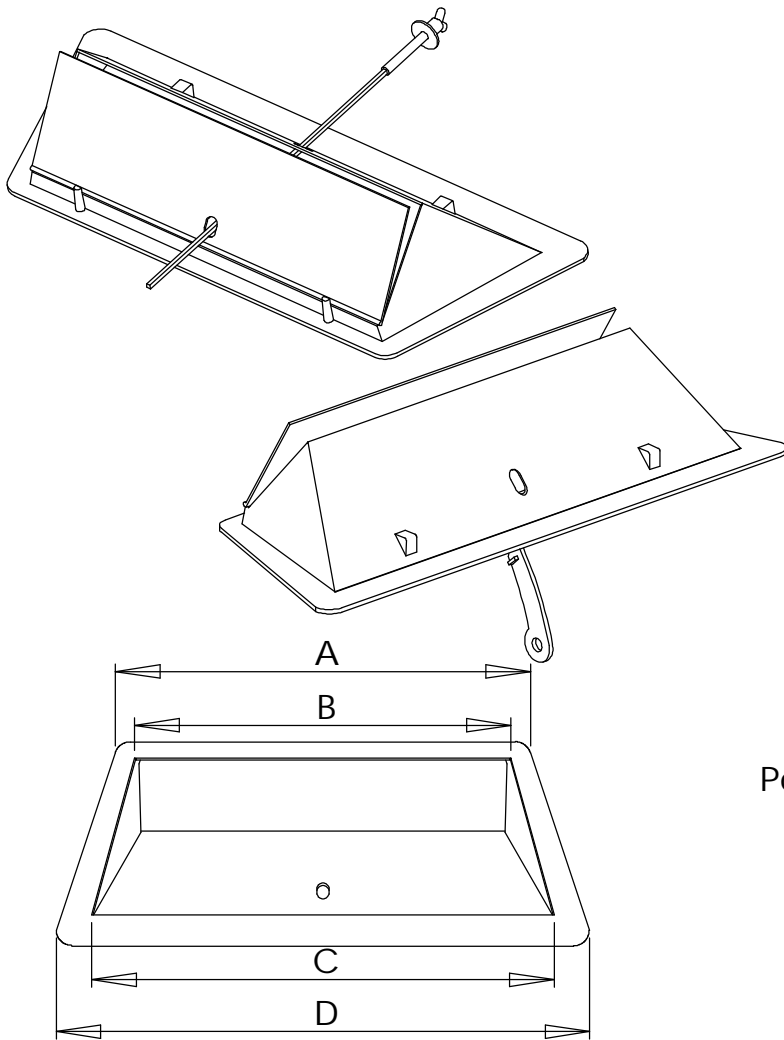
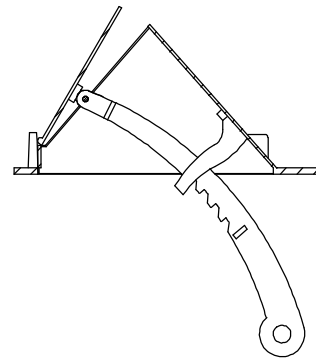


MATÉRIAU: Fonte Grise

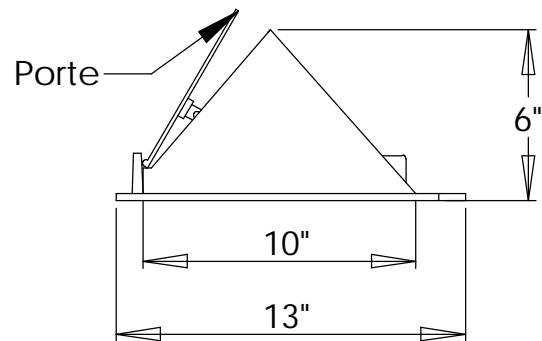
Registre De Foyer



Système Rotary



Système Poker



| No.: | A | B | C | D | PORTE |
|------|-----|-----|---------|---------|------------------|
| R-24 | 20" | 18" | 23 1/2" | 28" | 17 1/2" X 6 3/4" |
| R-30 | 26" | 24" | 29 1/2" | 34" | 24" X 7" |
| R-32 | 28" | 26" | 31 1/2" | 36" | 25 1/2" X 7" |
| R-36 | 32" | 30" | 35 1/2" | 40" | 30" X 7" |
| R-42 | 38" | 36" | 41 1/2" | 46" | 35 1/2" X 7" |
| R-48 | 44" | 42" | 47 1/2" | 52" | 41 1/2" X 7" |
| R-54 | 50" | 48" | 53 1/2" | 58" | 49" X 7" |
| R-60 | 56" | 54" | 59 1/2" | 66" | 54" X 7" |
| R-66 | 62" | 60" | 65 1/2" | 72 1/2" | 60" X 7" |
| R-72 | 68" | 66" | 71 1/2" | 78 1/2" | 66" X 7" |



Fonderie Laroche Itée
Pont-Rouge (Québec)
G3H 3M4

Tel.: (418) 873-2516
Fax.: (418) 873-4669